

Interior for vehicles

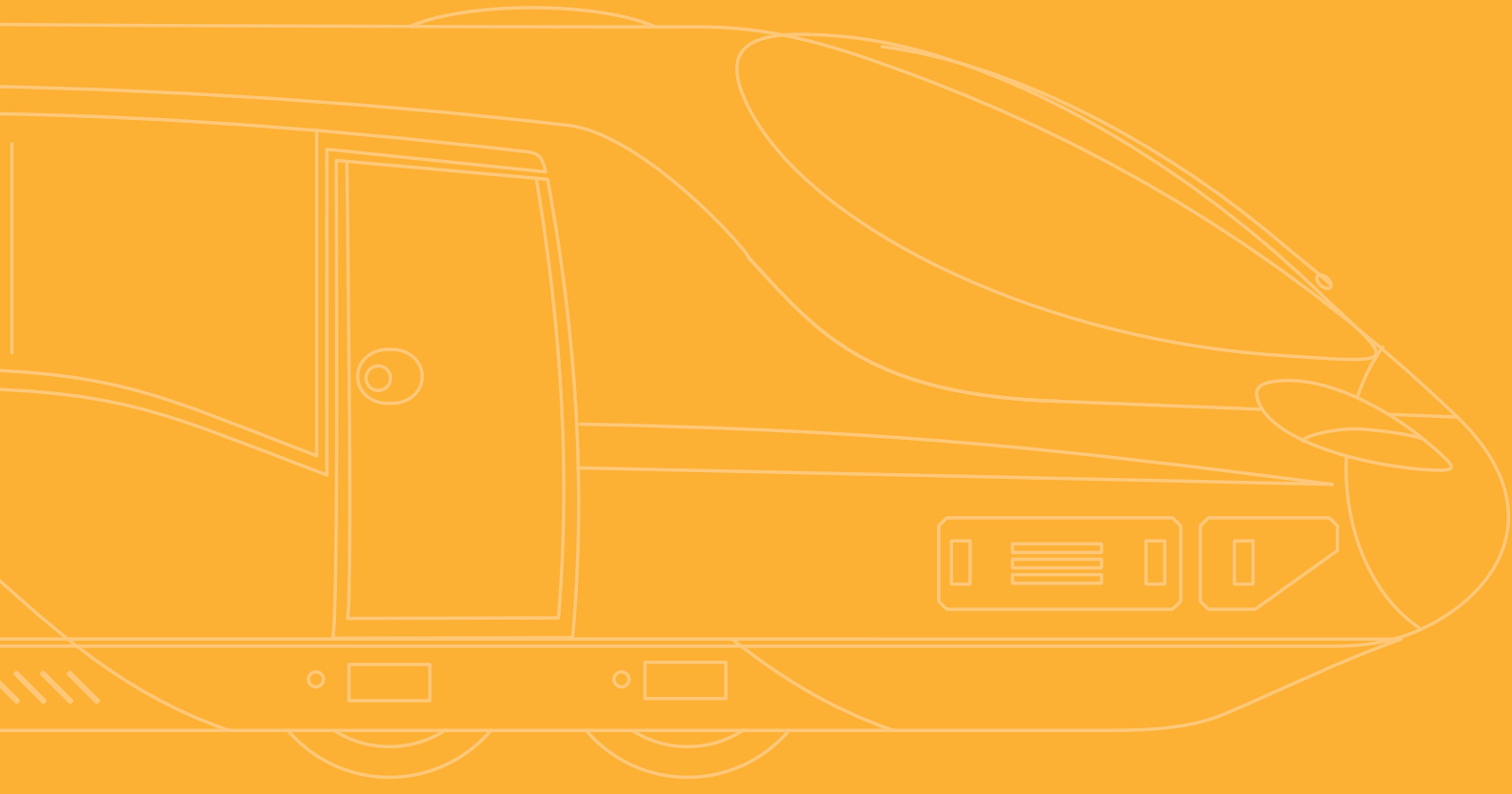
Tables:

Development . Production . Assembly

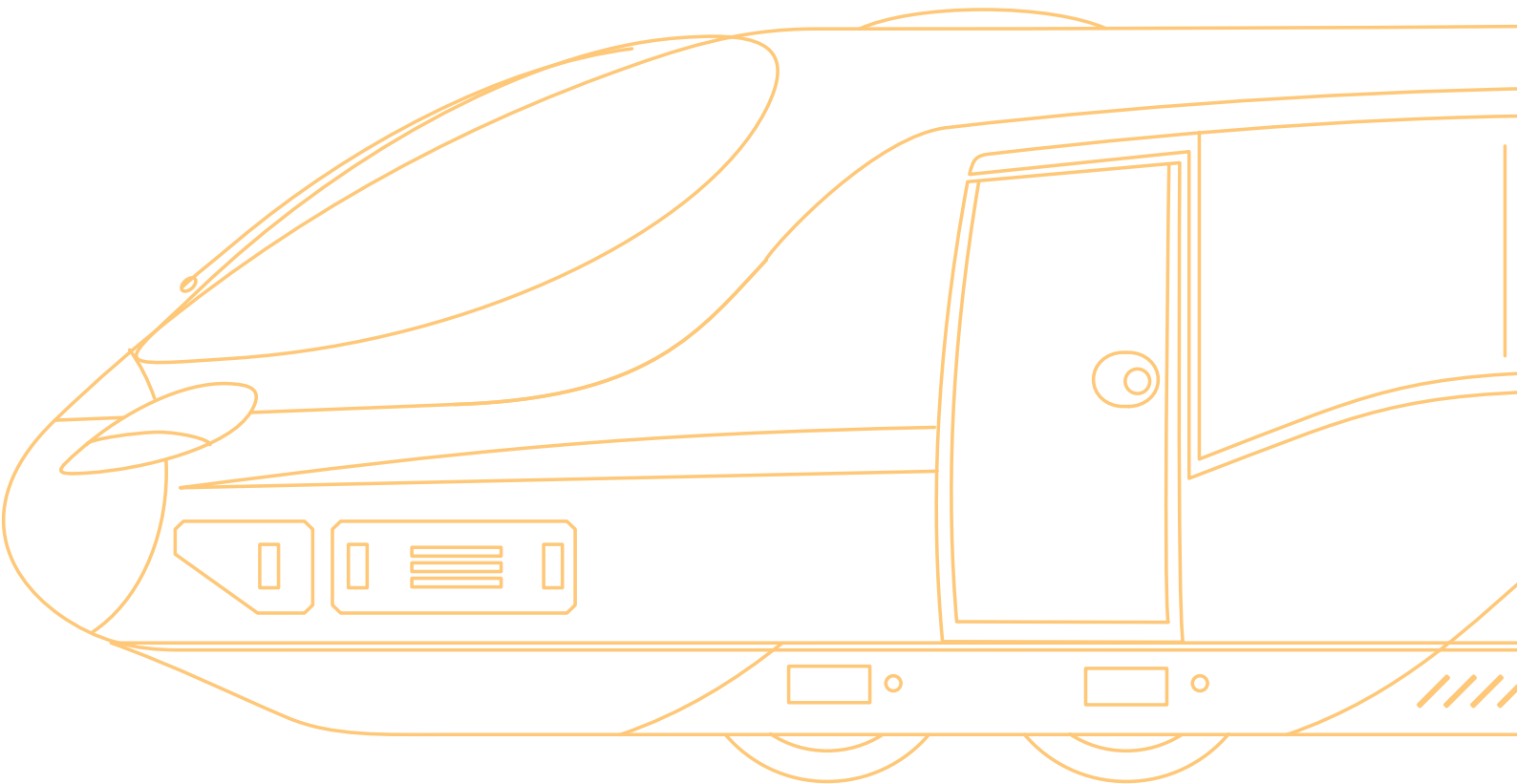


Rail
Ship
Bus

Company **GETA** was founded by Mr. Dipl.-Ing. (FH) Robert Buhmann in 1986. As a qualified and certified producer of interior design elements and system components for rail-bound vehicles, we are among the market leaders for the design and production of coated moulded parts and sandwich light-construction components.



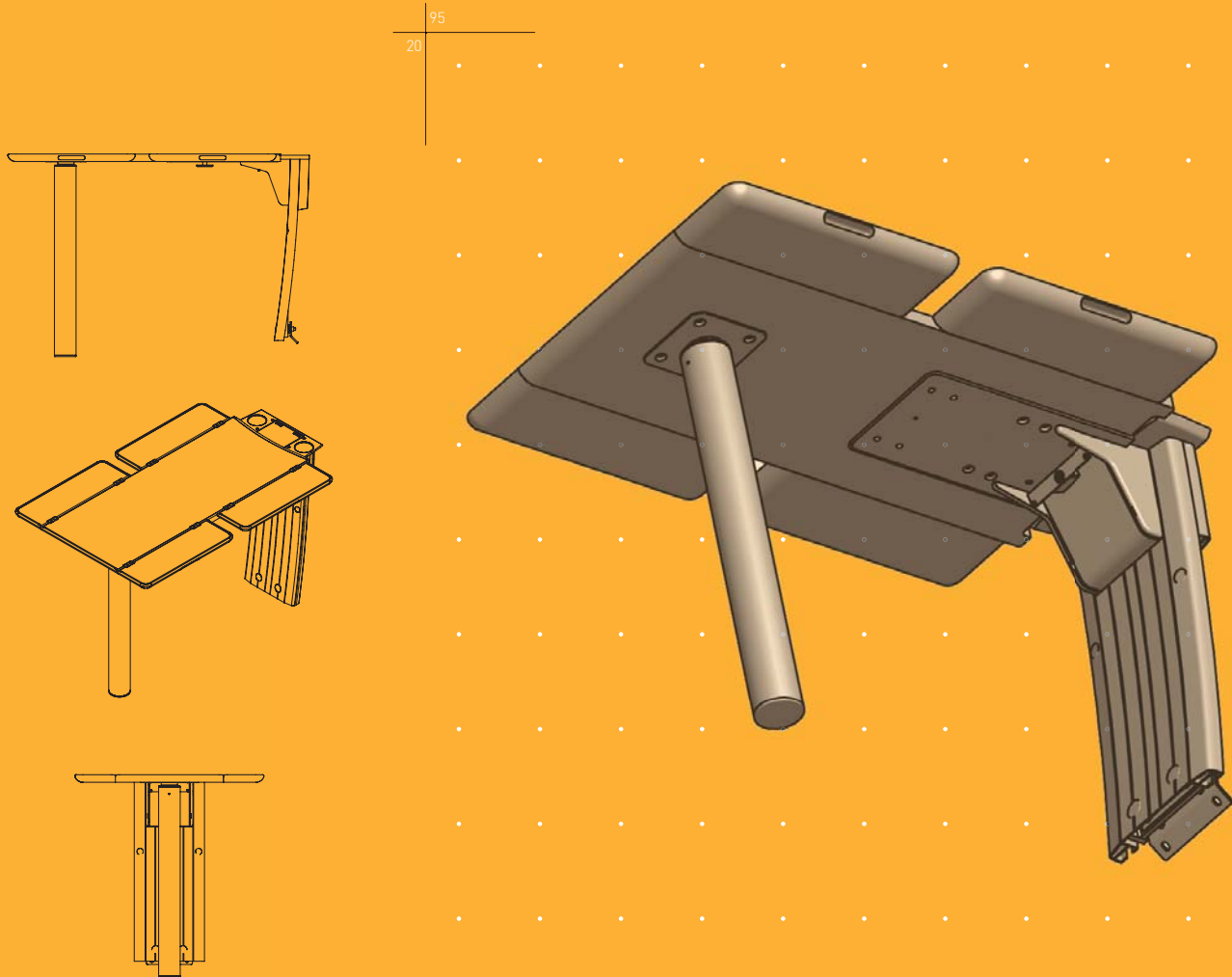
- High-quality surface coatings
- Bonding technology and glues pursuant to DIN6701-2, class A1
- Polyurethane gate and polyurethane moulded parts
- Processing of honeycomb systems
- Development of fire-inhibiting sandwich elements
- CNC processing technology for different materials
- Mould and tool construction
- IRIS-certification





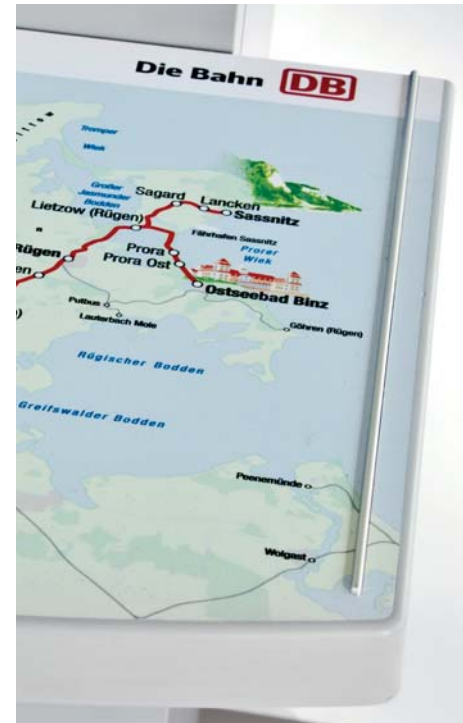
Our inspiration:
Customer-oriented design,
function and quality





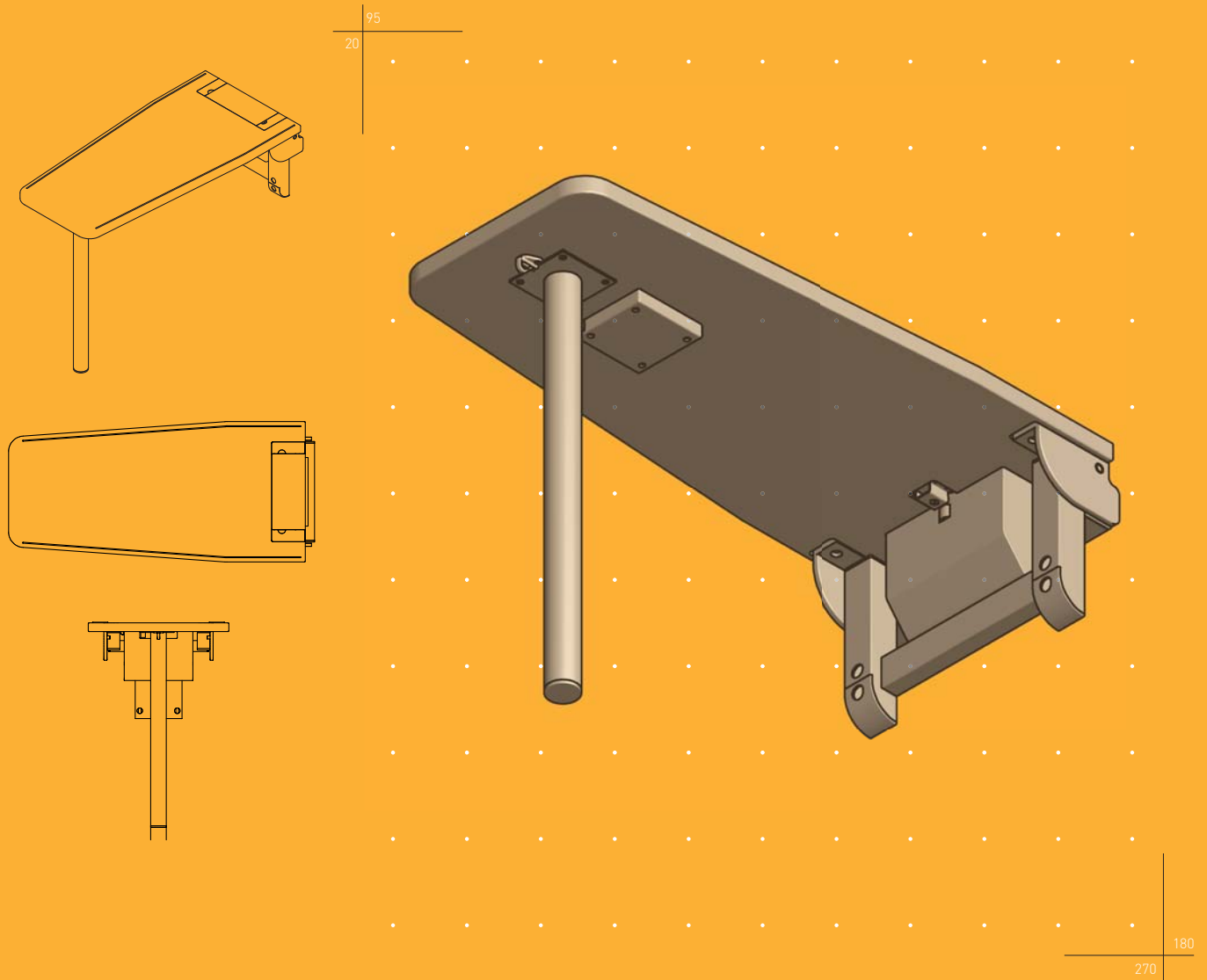
Tables

Company **GETA** delivers tables ready for assembly, either with integrated waste container systems or individual wall brackets. The special customer-requirements to fire protection, weight or stability are implemented. The robust and easy-to-clean materials warrant low maintenance and service costs. We draw up customised solutions with construction and design agencies. Challenge us!



Robust, easy-care and resilient.
Design-oriented.





Tables

- Different waste container systems and installation situations with simple removal of the container for emptying and cleaning
- Tables with folding function for quick and simple cleaning of the floor
- Individual construction and integration of crash elements
- Butterfly tables with stable, self-developed and long-term tested steel or aluminium hinges
- Tabletop contours correspond to the customer's wishes
- Cup troughs in available different designs, e.g. in stainless steel or as PUR-gate
- Ergonomically shaped recessed grips for comfortable folding of the table wings



Our employees are our strength.





DIN EN ISO 9001:2008



IRIS Rev.02



Gluing pursuant to DIN6701-2

Certification - quality is our standard

- Production islands & competence teams
- Initial sample tests
- Monitored measuring and test equipment system
- Production-accompanying test plans with individual checklists
- Customer-order-specific product and process developments
- Continuous further development



Application-oriented solutions,
designed to your needs.



95
20

Our comprehensive production competencies.

180
270

Technology

- Wood materials, HPL-coated according to colour pallet or digital/screen print
- Different edge designs, e.g. PUR-gate or massive wood
- Attachment parts with different surface finishings
- Development of sandwich elements for special requirements in fire protection or light construction
- In-house tool construction
- Direct assumption of CAD data

GETA
Interieur®



GETA Interieur®

Im Unteren Feld 10
D - 88239 Wangen-Niederwangen

T + 49 |0| 75 22 7 07 84 -00
F + 49 |0| 75 22 2 05 22

www.geta-wangen.de
info@geta-wangen.de